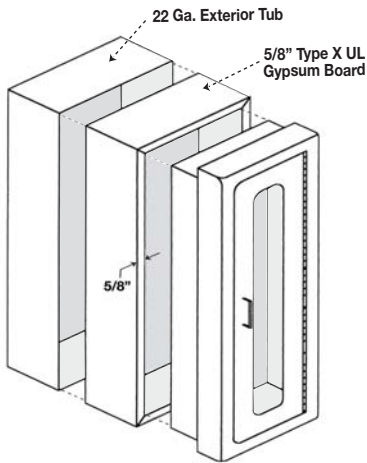
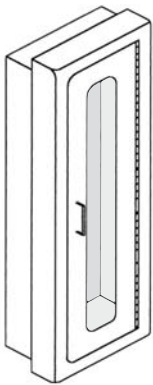


CABINET MEASURING GUIDELINES

SAFEGUARD Fire Rating Assembly

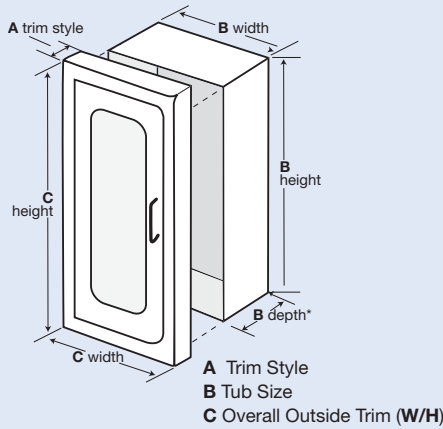


Non-Rated



ELITE Series cabinet fronts are 16 gauge cold rolled steel with 22 gauge cold rolled steel tubs. Features full length piano type hinge.

How to Measure a Cabinet



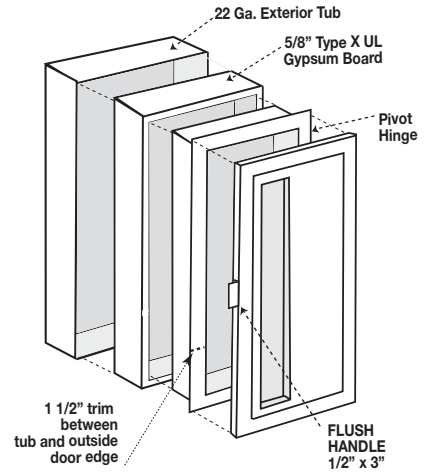
Rough opening for all cabinets should be 1/4" larger than actual tub size.

Trim Style measurement varies depending on the type and size of cabinet. **ELITE** series semi-recessed is 1 1/2" for 5lb., 2 1/2" for 10lb, and 3" for 20lb. Fully recessed is 1/4" for all sizes. **ELITE** series fire-rated semi-recessed is 1 1/2" for 5lb., 3" for 10lb., and 4" for 20lb. Fire-rated fully recessed is 1/4" for all sizes.

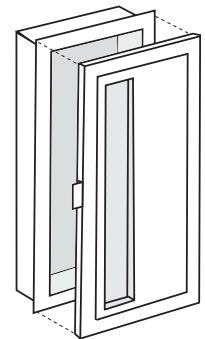
TITAN series aluminum cabinets are only available in the 10lb with the same trim sizes as the ELITE series. **SONOMA** series cabinets are all trimless.

For more information on measuring and specifying the size of cabinet you need, contact our customer service department.

SONOMA Series Fire Rating Assembly



SONOMA Series Non-Rated



SONOMA Series cabinets are fully recessed and have a concealed hinge.

INSTALLATION OPTIONS

Installs in concrete, masonry, wood, and metal stud walls

Top View	Surface	Semi-Recessed 1 1/2" Return Trim 5lb. Only *Note: 1 1/2" Return Trim on 5lb Safeguard	Semi-Recessed 2-1/2" Return Trim *Note: 3" Return Trim Standard on 10lb. Safeguard	Fully-Recessed 1/4" Return Trim	Bubble Cabinet 1" Return Trim on 20lb 1-1/2" Return Trim on 10lb See Bubble Extensions below	Valve Cabinet Fully-Recessed 1/4" Return Trim	Valve & Extinguisher Cabinet Fully-Recessed 1/2" Return Trim
Side View					1 3/4" for 10lb 2 3/4" for 20lb		



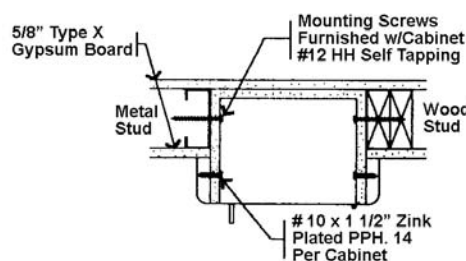
UL Classified 5/8" Type X gypsum board inserted in the cavity between the two layers.

Warnock Hersey has approved the Safeguard Cabinets to be mounted in any face of fire rated steel or wood stud for up to 2 hour rated walls without affecting its fire rating. The above meets the requirement test ASTM-E119-98 with test report WHI-495-1534. MOUNTING INSTRUCTIONS are supplied with each safeguard cabinet.

SAFEGUARD

Typical Semi-Recessed Fire Rated Installation

ONE HOUR FIRE WALL SYSTEM



TWO HOUR FIRE WALL SYSTEM

